

PARTS LIST

[XV-SA70BK]

[XV-SA72SL]

* All printed circuit boards and its assemblies are not available as service parts.

[XV-SA70BK]

Area Suffix

EN -----Northern Europe
UJ -----U.S. military

[XV-SA72SL]

Area Suffix

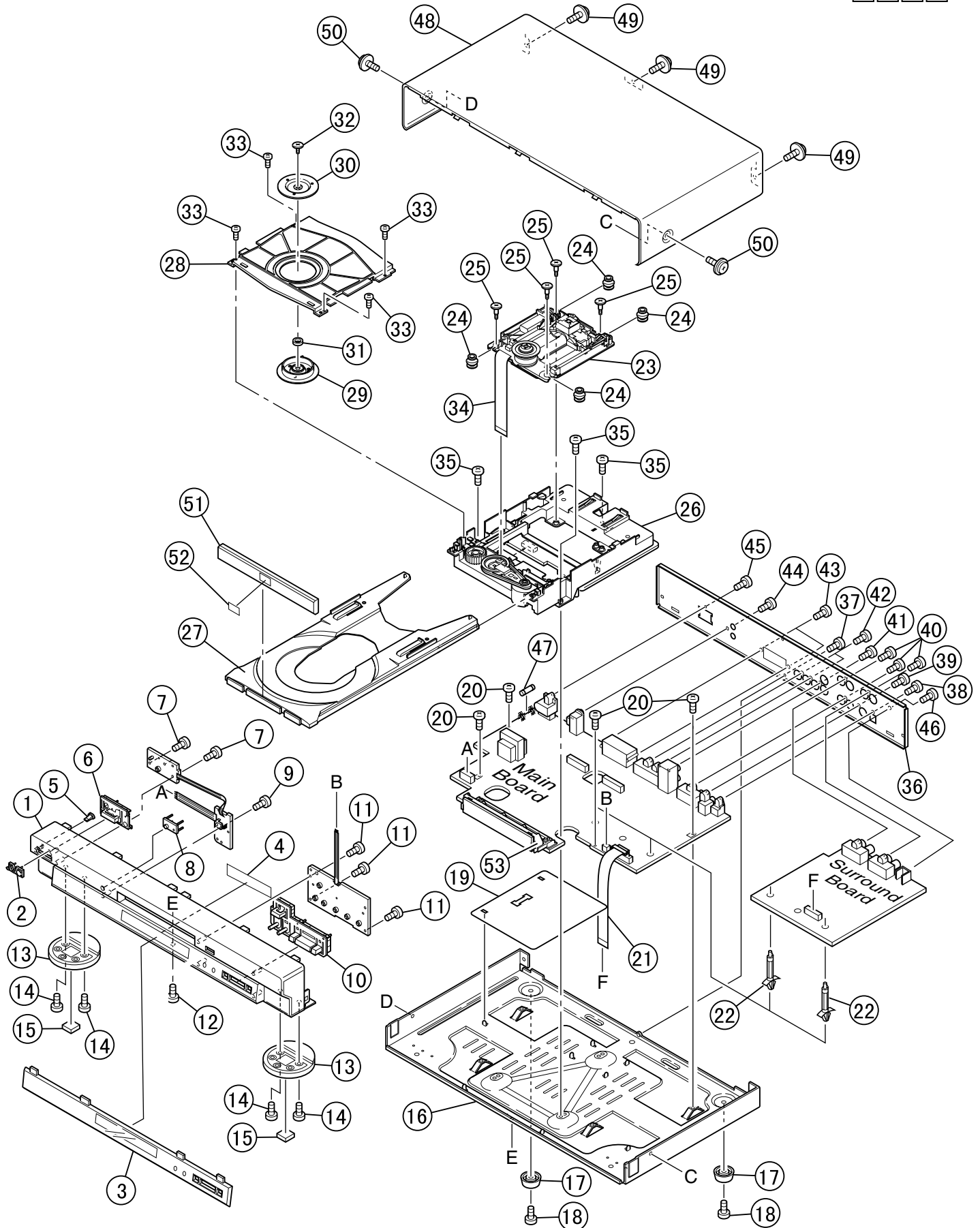
B -----U.K.
E ----Continental Europe
EN -----Northern Europe
EE --Russian Federation
US -----Singapore
UW ---Brazil,Mexico,Peru

- Contents -

Exploded view of general assembly and parts list	3-2
DVD Traverse mechanism assembly and parts list	3-5
DVD Loading assembly and parts list	3-7
Electrical parts list	3-9
Packing materials and accessories parts list	3-18

Exploded view of general assembly and parts list

Block No. **M** **1** **M** **M**



■ Parts list (General assembly) 1/2

Block No. M1MM

△	Item	Parts number	Parts name	Q'ty	Description	Area
	1	LE10251-017A	FRONT PANEL	1		b,e,ee,slen
		LE10251-016A	FRONT PANEL	1		bken
		LE10251-007A	FRONT PANEL	1		uj
		LE10251-035A	FRONT PANEL	1		us,uw
	2	VJD5429-002SS	JVC MARK	1		b,e,ee,slen,us,uw
		VJD5429-001SS	JVC MARK	1		bken,uj
	3	LE20535-021A	WINDOW SCREEN	1		b,bken,e,ee,slen
		LE20535-020A	WINDOW SCREEN	1		uj,us,uw
	4	LE40759-001A	FL SCREEN	1		
	5	LE30900-001A	INDICATOR	1		
	6	LE20537-002A	PUSH BUTTON	1		b,e,ee,slen,us,uw
		LE20537-001A	PUSH BUTTON	1		bken,uj
	7	QYSBSF2608Z	T.SCREW	2		
	8	LE30899-002A	REMOTE LENS	1		b,e,ee,slen,us,uw
		LE30899-001A	REMOTE LENS	1		bken,uj
	9	QYSBSF2608Z	T.SCREW	1		
	10	LE20538-002A	PUSH BUTTON	1		b,e,ee,slen,us,uw
		LE20538-001A	PUSH BUTTON	1		bken,uj
	11	QYSBSF2608Z	T.SCREW	3		
	12	QYSDSG3008N	T.SCREW	1		
	13	LE30951-002A	FOOT	2		b,e,ee,slen,us,uw
		LE30951-001A	FOOT	2		bken,uj
	14	QYSBSG3010Z	T.SCREW	4		
	15	LE40798-001A	SPACER	2		
	16	LE10250-002A	CHASSIS BASE	1		
	17	E47227-029	FOOT	2		
	18	QYSBSG3010Z	T.SCREW	2		
	19	LE40768-003A	PROTECT SHEET	1		
	20	QYSBSGG3008E	T.SCREW	4		
	21	QUQB12-1710AM	FFC WIRE	1		
	22	LE30968-001A	FASTENER	2		
	23	-----	TRAVERSE MECHA	1		
	24	LV41659-201A	INSULATOR	4		
	25	LV41424-001A	SPECIAL SCREW	4		
	26	-----	1DISC LAODING B	1		
	27	LV10582-001A	TRAY LONG TYPE	1		
	28	LV20913-002A	CLAMPER BASE	1		
	29	LV32417-001A	CLAMPER	1		
	30	LV42089-001A	YOKE	1		
	31	LV41118-003A	MAGNET	1		
	32	LV41741-001A	SPECIAL SCREW	1		
	33	QYSBSF2008Z	SCREW	4		
	34	QUQ110-0610AJ	FFC WIRE	1		
	35	QYSBSG3010E	T.SCREW	3		
	36	LE20542-085A	REAR PANEL	1		b,e,slen
		LE20542-080A	REAR PANEL	1		bken

■ Parts list (General assembly) 2/2

Block No. M1MM

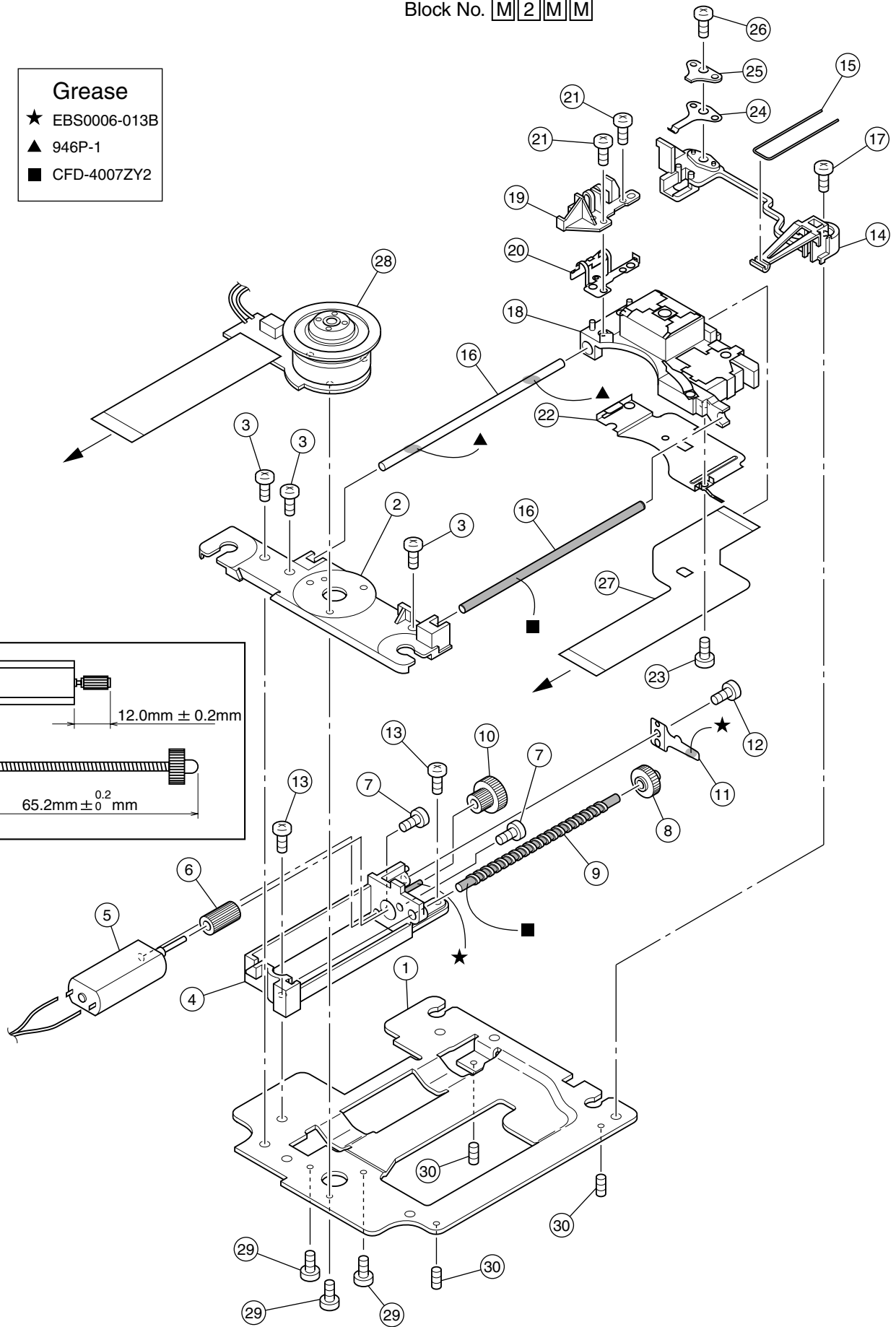
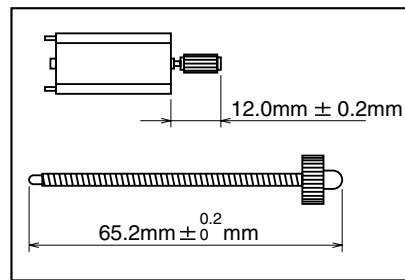
△	Item	Parts number	Parts name	Q'ty	Description	Area
	36	LE20542-086A	REAR PANEL	1		ee
		LE20542-079A	REAR PANEL	1		uj
		LE20542-081A	REAR PANEL	1		us
		LE20542-084A	REAR PANEL	1		uw
	37	QYSBSGY3008M	SPECIAL SCREW	1	REAR+CHASSIS	
	38	QYSBSGY3008M	SPECIAL SCREW	1	OPT OUT	
	39	QYSBSGY3008M	SPECIAL SCREW	1	COAXIAL	
	40	QYSBSGY3008M	SPECIAL SCREW	3	AUDIO OUT	
	41	QYSBSGY3008M	SPECIAL SCREW	1	VIDEO OUT	
	42	QYSBSGY3008M	SPECIAL SCREW	2	COMPONENT	uj,us,uw
	43	QYSBSGY3008M	SPECIAL SCREW	2	21P OUT	b,e,ee,bken,slen
	44	QYSBSGY3008M	SPECIAL SCREW	1	COMPU LINK	
	45	QYSBSGY3008M	SPECIAL SCREW	1	AC INLET	
	46	QYSBSGY3008M	SPECIAL SCREW	1	EARTH	
△	47	QMF51E2-1R6-J1	FUSE	1		
	48	LE20541-002A/S/	METAL COVER	1		b,e,ee,slen,us,uw
		LE20541-001A/S/	METAL COVER	1		bken,uj
	49	QYSBSGG3008E	T.SCREW	3		
	50	E406308-004	SPECIAL SCREW	2		b,e,ee,slen,us,uw
		E406308-003	SPECIAL SCREW	2		bken,uj
	51	LE20536-010A	FITTING	1		b,e,ee,slen,us,uw
		LE20536-004A	FITTING	1		bken,uj
	52	LE40758-002A	MARK	1		b,e,ee,slen,us,uw
		LE40758-001A	MARK	1		bken,uj
	53	LE20540-001A	FL HOLDER	1		

DVD Traverse mechanism assembly and parts list

Block No. **M** **2** **M** **M**

Grease

- ★ EBS0006-013B
- ▲ 946P-1
- CFD-4007ZY2



■ Parts list (DVD Traverse mechanism assembly)

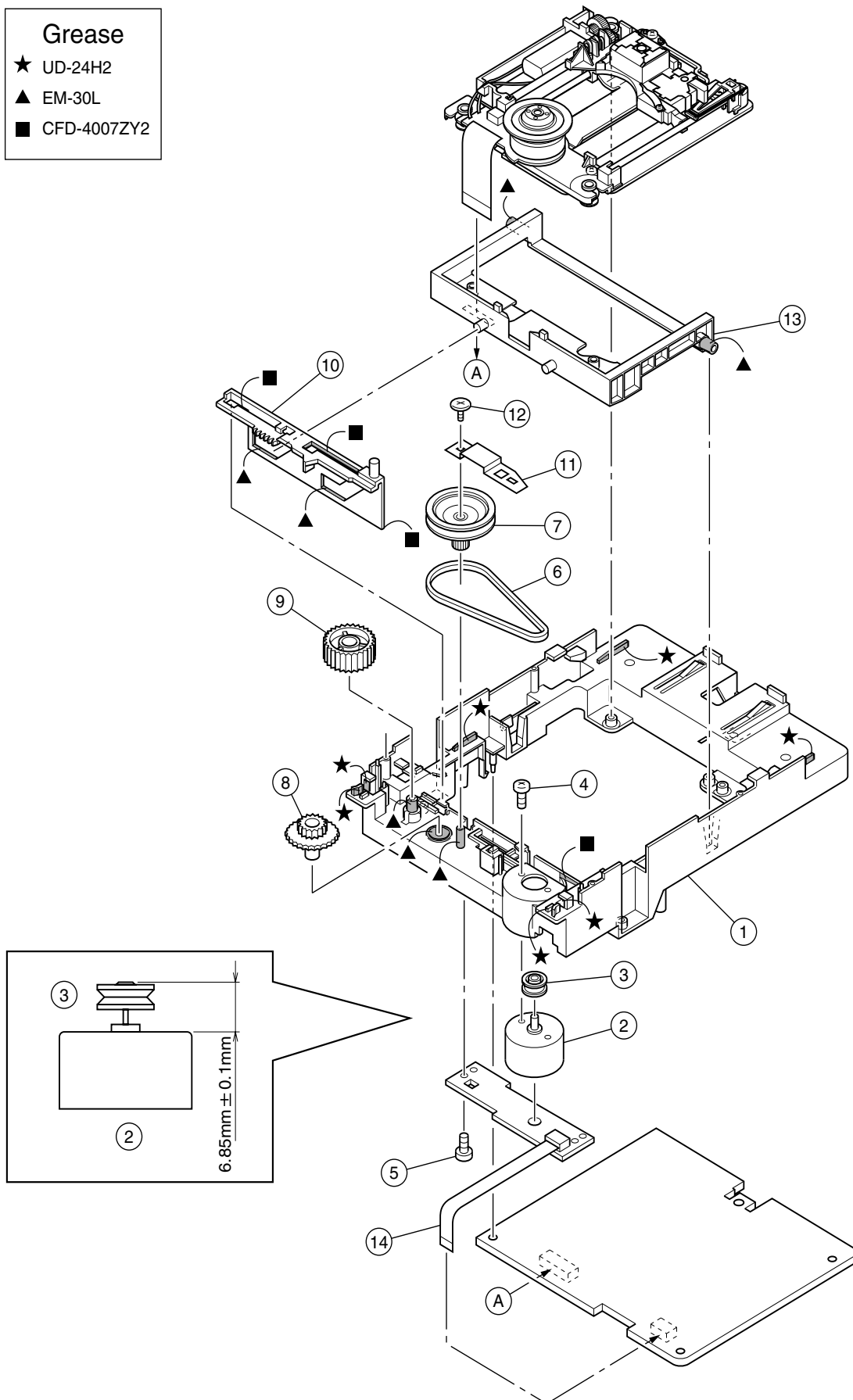
Block No. M2MM

△	Item	Parts number	Parts name	Q'ty	Description	Area
	1	LE20520-002A	MECHA BASE	1		
	2	LE20516-001A	SPINDLE BASE	1		
	3	QYSDST2605M	TAPPING SCREW	3		
	4	LE30909-001A	HOLDER	1		
	5	QAR0165-001	FEED MOTOR	1		
	6	LV41510-001A	FEED GEAR	1		
	7	QYSPSPU2040M	SCREW	2		
	8	LV41512-001A	FEED GEAR	1		
	9	LV41517-001A	LEAD SCREW	1		
	10	LV41511-002A	FEED GEAR	1		
	11	LE40742-001A	TORSION SPRING	1		
	12	QYSDSF2005Z	SCREW	1		
	13	QYSDST2605M	TAPPING SCREW	2		
	14	LE20517-001A	HOLDER	1		
	15	LE40744-001A	SPRING	1		
	16	LV41121-002A	SLIDE SHAFT	2		
	17	QYSDST2605M	TAPPING SCREW	1		
	18	QAL0279-001	OPTICAL PICK-UP	1		
	19	LE20519-001A	ACTUATOR	1		
	20	LE30886-001A	SPRING	1		
	21	QYSPSPU1740Z	SCREW	2		
	22	LE30888-003A	SPRING	1		
	23	QYSPSPU1420Z	SCREW	1		
	24	LE40743-001A	SPRING	1		
	25	LE40774-001A	PLATE	1		
	26	QYSDST2606Z	SCREW	1		
	27	QAL0284-001	F.P.C.WIRE ASSY	1		
	28	QAR0162-001	SPINDLE MOTOR	1		
	29	QYSPSPU1760Z	SCREW	3		
	30	QYYASPF2608N	SCREW	3		

DVD Loading mechanism assembly and parts list

Block No. M3MM

- | Grease | |
|--------|-------------|
| ★ | UD-24H2 |
| ▲ | EM-30L |
| ■ | CFD-4007ZY2 |



Parts list (DVD Loading mechanism assembly)

Block No. M3MM

△	Item	Parts number	Parts name	Q'ty	Description	Area
	1	LV10454-007A	LOADING BASE	1		
	2	QAR0164-001	MOTOR	1		
	3	LV42087-001A	MOTOR PULLEY	1		
	4	QYSPSPU1730Z	SCREW	1		
	5	VKZ4777-003	MINI SCREW	1		
	6	LV42209-001A	BELT	1		
	7	LV42084-002A	PULLEYGEAR	1		
	8	LV42085-002A	MIDDLE GEAR	1		
	9	LV42086-001A	IDLE GEAR	1		
	10	LV32514-002A	SLIDE CAM	1		
	11	LV42348-001A	GEAR BRACKET	1		
	12	QYSBSF2006Z	SCREW	1		
	13	LV20912-002A	ELEVATOR	1		
	14	QUQ110-0610AJ	FFC WIRE	1		

Electrical parts list (Loading motor board)

Block No. 03

△	Item	Parts number	Parts name	Remarks	Area
	CN 1	QGF1016F3-06	CONNECTOR		
	S 1	QSW0910-002	SWITCH		
	S 2	QSW0910-002	SWITCH		

■ Electrical parts list (Main board)

Block No. 01

▲	Item	Parts number	Parts name	Remarks	Area	▲	Item	Parts number	Parts name	Remarks	Area
	BK 1	LE20539-001A	FL HOLDER				C 814	QETN0JM-477Z	E CAPACITOR	470MF 20% 6.3V	b,bken,e,ee,slen
	C 1	QEKC1HM-475Z	E.CAPACITOR	4.7MF 20% 50V			C 815	QETN0JM-477Z	E CAPACITOR	470MF 20% 6.3V	b,bken,e,ee,slen
	C 2	QEKC1HM-475Z	E.CAPACITOR	4.7MF 20% 50V			C 816	QETN0JM-477Z	E CAPACITOR	470MF 20% 6.3V	b,bken,e,ee,slen
	C 3	NCB31CK-104X	C CAPACITOR				C 817	QETN0JM-477Z	E CAPACITOR	470MF 20% 6.3V	b,bken,e,ee,slen
	C 4	QEKC1AM-476Z	E.CAPACITOR	47MF 20% 10V			C 818	QETN1HM-475Z	E CAPACITOR	4.7MF 20% 50V	uj,us,uw
	C 5	QETN0JM-108Z	E CAPACITOR	1000MF 20% 6.3V			C 819	NCB31CK-104X	C CAPACITOR		uj,us,uw
	C 6	NCB31CK-104X	C CAPACITOR				C 820	NCS31HJ-101X	C.CAPA. C.M		b,bken,e,ee,slen
	C 7	NCB31CK-103X	C CAPACITOR				C 821	NCS31HJ-471X	C CAPACITOR		b,bken,e,ee,slen
	C 8	QETN1HM-105Z	E CAPACITOR	1.0MF 20% 50V			C 822	NCS31HJ-471X	C CAPACITOR		b,bken,e,ee,slen
	C 9	NCS31HJ-331X	C.CAPA. C.M				C 902	QFZ9040-683	M CAPACITOR	.068MF	
	C 21	NCS31HJ-300X	C CAPACITOR			▲	C 903	QFZ9075-683	M CAPACITOR	.068MF	
	C 22	NCS31HJ-300X	C CAPACITOR			▲	C 905	QCZ9079-102	C CAPACITOR	1000PF	
	C 111	QETN1AM-107Z	E CAPACITOR	100MF 20% 10V		▲	C 906	QCZ9079-102	C CAPACITOR	1000PF	
	C 700	QTE0J28-477Z	E CAPACITOR			▲	C 907	QEZO452-826	E.CAPACITOR	B/E*	b,bken,e,ee,slen
	C 701	NCB31HK-152X	C CAPACITOR			▲	C 907	QEZO522-127	E.CAPACITOR	U/A	uj,us,uw
	C 702	NCB31CK-104X	C CAPACITOR				C 908	NZZ000000000500	C CAPACITOR		
	C 703	QTE1A28-227Z	E CAPACITOR				C 909	NZZ000000000499	C CAPACITOR		
	C 707	QETN0JM-107Z	E CAPACITOR	100MF 20% 6.3V			C 910	NCS31HJ-221X	C.CAPA. C.M		
	C 711	QCZ0202-155Z	ML C CAPA I/M	1.5MF			C 913	NZZ000000000499	C CAPACITOR		
	C 713	NCS31HJ-471X	C CAPACITOR				C 914	QEZO532-396Z	E CAPACITOR	39MF	
	C 714	QTE0J28-477Z	E CAPACITOR				C 915	NCB31HK-471X	C CAPACITOR		
	C 715	QCZ0202-155Z	ML C CAPA I/M	1.5MF			C 918	QCFB1HZ-104Y	C CAPACITOR	.10MF +80:-20%	
	C 716	QTE0J28-477Z	E CAPACITOR				C 960	QEZO529-826Z	E CAPACITOR	82MF	
	C 717	QCZ0202-155Z	ML C CAPA I/M	1.5MF			C 961	NCB31CK-104X	C CAPACITOR		
	C 721	QCZ0202-155Z	ML C CAPA I/M	1.5MF			C 962	QETN1HM-226Z	E CAPACITOR	22MF 20% 50V	
	C 730	QFV21HJ-224Z	MF CAPACITOR	.22MF 5% 50V			C 963	QEZO533-396Z	E CAPACITOR	39MF	
	C 731	QFN31HJ-103Z	M CAPACITOR	.010MF 5% 50V			C 964	NCB31CK-104X	C CAPACITOR		
	C 735	NCB31CK-104X	C CAPACITOR				C 965	QEZO528-108	E CAPACITOR	1000MF	
	C 737	QETN1EM-226Z	E CAPACITOR	22MF 20% 25V	b,bken,e,ee,slen		C 966	QETN1AM-477Z	E CAPACITOR	470MF 20% 10V	
	C 738	QETN1EM-226Z	E CAPACITOR	22MF 20% 25V	b,bken,e,ee,slen		C 967	NCB31CK-104X	C CAPACITOR		
	C 740	QFLC1HJ-561Z	M.CAPA I.M	560PF 5% 50V			C 968	NCB31CK-104X	C CAPACITOR		
	C 741	QFP31HJ-121Z	PP CAPACITOR	120PF 5% 50V			C 969	QETN1AM-227Z	E CAPACITOR	220MF 20% 10V	
	C 742	QFLC1HJ-182Z	M CAPACITOR	1800PF 5% 50V			C 970	NCB31CK-104X	C CAPACITOR		
	C 743	QFLC1HJ-272Z	M.CAPA. I.M	2700PF 5% 50V			C 973	QETN1AM-107Z	E CAPACITOR	100MF 20% 10V	
	C 744	QFLC1HJ-561Z	M.CAPA I.M	560PF 5% 50V			C 978	QETN1AM-107Z	E CAPACITOR	100MF 20% 10V	
	C 745	QFLC1HJ-103Z	M CAPACITOR	.010MF 5% 50V			C 979	QEZO530-827	E CAPACITOR	820MF	
	C 746	QTE1E28-476Z	E CAPACITOR				C 981	NCB31CK-104X	C CAPACITOR		
	C 747	QFLC1HJ-182Z	M CAPACITOR	1800PF 5% 50V			C 982	QEZO532-187Z	E CAPACITOR	180MF	
	C 748	QFLC1HJ-561Z	M.CAPA I.M	560PF 5% 50V			C 984	QETN1EM-107Z	E CAPACITOR	100MF 20% 25V	
	C 749	QFLC1HJ-561Z	M.CAPA I.M	560PF 5% 50V			C 987	QEZO532-187Z	E CAPACITOR	180MF	
	C 750	QFLC1HJ-561Z	M.CAPA I.M	560PF 5% 50V			C 989	QETN1EM-107Z	E CAPACITOR	100MF 20% 25V	
	C 751	QFP31HJ-121Z	PP CAPACITOR	120PF 5% 50V			C 992	QETN1HM-474Z	E CAPACITOR	.47MF 20% 50V	
	C 752	QFLC1HJ-182Z	M CAPACITOR	1800PF 5% 50V			C 993	NCS31HJ-101X	C.CAPA. C.M		
	C 753	QFLC1HJ-272Z	M.CAPA. I.M	2700PF 5% 50V			C 995	NCB31CK-104X	C CAPACITOR		
	C 754	QFLC1HJ-561Z	M.CAPA I.M	560PF 5% 50V			C 997	QETN1CM-227Z	E CAPACITOR	220MF 20% 16V	
	C 755	QFLC1HJ-103Z	M CAPACITOR	.010MF 5% 50V			C1701	QETN1EM-476Z	E CAPACITOR	47MF 20% 25V	
	C 756	QTE1E28-476Z	E CAPACITOR				C1702	QETN1EM-476Z	E CAPACITOR	47MF 20% 25V	
	C 757	QFLC1HJ-182Z	M CAPACITOR	1800PF 5% 50V			C1703	NCS31HJ-151X	C CAPACITOR		
	C 761	QTE1C28-227Z	E CAPACITOR				C1704	NCS31HJ-221X	C.CAPA. C.M		
	C 762	QTE1C28-227Z	E CAPACITOR				C1706	NCB31CK-223X	C CAPACITOR		
	C 771	QTE1C28-227Z	E CAPACITOR				CN 3	QGD2501C1-03Z	SOCKET		
	C 772	QTE1C28-227Z	E CAPACITOR				CN512	QGB2027M8-26	B TO B CONNECTO		
	C 797	NCB31HK-152X	C CAPACITOR				CN513	QGB2027M8-26	B TO B CONNECTO		
	C 801	QETN1AM-107Z	E CAPACITOR	100MF 20% 10V			CN701	QGF1205C1-17	CONNECTOR		
	C 802	NCB31CK-104X	C CAPACITOR		uj,us,uw	▲	CP951	ICP-N10-T	ICP		
	C 803	NCB31CK-104X	C CAPACITOR		uj,us,uw		D 1	SPR-325MVV/L-T	LED	STANDBY	
	C 804	NCB31CK-104X	C CAPACITOR		b,bken,e,ee,slen		D 2	SPR-325MVV/L-T	LED	PROGRESSIVE	uj,us,uw
	C 805	NCB31CK-104X	C CAPACITOR		b,bken,e,ee,slen		D 3	SELU2E10C	LED		
	C 806	QETN0JM-477Z	E CAPACITOR	470MF 20% 6.3V	uj,us,uw		D 4	1SS355-X	DIODE C.M		
	C 807	QETN0JM-477Z	E CAPACITOR	470MF 20% 6.3V	uj,us,uw		D 9	1SS355-X	DIODE C.M		
	C 808	QETN0JM-477Z	E CAPACITOR	470MF 20% 6.3V	uj,us,uw		D 702	MTZJ3.3B-T2	ZENER DIODE IM		
	C 809	QETN0JM-477Z	E CAPACITOR	470MF 20% 6.3V	uj,us,uw	▲	D 901	S1WB/A/60-4101	BRIDGE DIODE		
	C 810	QETN0JM-477Z	E CAPACITOR	470MF 20% 6.3V	uj,us,uw	▲	D 902	F1T4-T2	FR DIODE		
	C 811	NCB31CK-104X	C CAPACITOR		uj,us,uw	▲	D 903	F1T4-T2	FR DIODE		
	C 812	QETN0JM-477Z	E CAPACITOR	470MF 20% 6.3V	b,bken,e,ee,slen	▲	D 904	F1T4-T2	FR DIODE		
	C 813	QETN0JM-477Z	E CAPACITOR	470MF 20% 6.3V	b,bken,e,ee,slen	▲	D 908	F1T4-T2	FR DIODE		

■Electrical parts list (Main board)

Block No. 01

△	Item	Parts number	Parts name	Remarks	Area
△	D 910	F1T4-T2	FR DIODE		
	D 911	1SS355-X	DIODE C.M		
△	D 950	F1T4-T2	FR DIODE		
△	D 951	F1T4-T2	FR DIODE		
△	D 952	F1T4-T2	FR DIODE		
△	D 953	FMB-24	FUSEIODE		
△	D 954	F1T4-T2	FR DIODE		
△	D 956	F1T4-T2	FR DIODE		
△	D 957	F1T4-T2	FR DIODE		
	D 960	MTZJ4.7B-T2	Z DIODE I M		
	D 991	MTZJ5.1C-T2	ZENER DIODE		
	DI 1	QLF0090-001	FL TUBE		
	EP901	QNZ0136-001Z	EARTH PLATE		
△	FC901	QNG0003-001Z	FUSE CLIP		
△	FC902	QNG0003-001Z	FUSE CLIP		
	FW 1	QUM104-11Z4Z4	PARA RIBON WIRE		
	FW 2	QUM109-11DGZ4	PARA RIBON WIRE	TO CN2	
	FW 3	QUM103-11DGZ4	PARA RIBON WIRE	TO CN3	
	HS901	E70306-002	HEAT SINK		
	HS952	LV41785-001A	HEAT SINK		
	IC 1	GP1U271X	RM RECIVER		
	IC 2	UPD780232GC-057	MASK	SYSTEM MICOM	
	IC 3	PST574CMT-X	IC		
	IC701	PQ05RD11	IC		
	IC703	MN35505-X	IC C.M		
	IC704	TC7SH08F-X	IC C.M		
	IC741	NJM5532M-XE	IC		
	IC751	NJM5532M-XE	IC		
	IC801	BA7660FS-X	V.BUFFER		uj,us,uw
	IC802	BA7665FS-X	V.BUFFER		uj,us,uw
	IC803	BA7660FS-X	V.BUFFER		b,bken,e,ee,slen
	IC804	BA7660FS-X	V.BUFFER		b,bken,e,ee,slen
△	IC901	STR-G6651	IC		
	IC951	PQ05RD21	IC		
	IC952	SI-3033C	IC		
	J 700	QNN0461-001	PIN JACK	AUDIO L/R	
	J 701	QNN0458-001	PIN JACK	COAXIAL	
	J 702	QNS0089-001	3.5 JACK	AV COMPULINK	
	J 703	QNZ0487-001	OPT TRANSMITTER	OPT DIGITAL OUT	
	J 801	QNN0395-001	PIN JACK	COMPONENT	uj,us,uw
	J 802	QNN0454-001	PIN JACK	S/COMP.	
	J 804	QNZ0516-001	RGB CONNECTOR	PERICONE	b,bken,e,ee,slen
	JT102	QGD2501C1-05Z	SOCKET I.M	CN2	
	JT202	QGD2501C1-04Z	SOCKET	CN2	
	K 701	NQR0227-004X	FERRITE BEADS		
	K 703	NQR0227-004X	FERRITE BEADS		
	K 704	NQR0227-004X	FERRITE BEADS		
	K 705	NQR0227-004X	FERRITE BEADS		
	K 706	NQR0227-004X	FERRITE BEADS		
	K 801	QQR0601-001Z	FERRITE BEADS		
	K 902	QQR1183-001Z	F.BEADS I.M		
	L 709	QQL231K-2R2Y	INDUCTOR I.M		
	L 801	QQR1088-001	LPF		b,bken,e,ee,slen
	L 801	QQR1089-001	LPF		uj,us,uw
	L 802	QQR1088-001	LPF		
	L 803	QQR1088-001	LPF		
	L 804	QQR1088-001	LPF		
△	L 901	QQR1105-001	LINE FILTER		
	L 952	QQL26AK-220Z	INDUCTOR		
	L 955	QQL26AK-220Z	INDUCTOR		
	L 957	QQL244K-100Z	INDUCTOR		
	L 959	QQL244K-100Z	INDUCTOR		
△	P 901	QNC0081-001	AC INLET	NO POLARITY	
△	PC901	PC123Y02	IC(PHOTO COUPLE		
△	PC902	PC123Y02	IC(PHOTO COUPLE		
	Q 1	KRC104S-X	TRANSISTOR		

△	Item	Parts number	Parts name	Remarks	Area
	Q 2	KRC107S-X	DIGITAL.TR		
	Q 4	DTC144WKA-X	TRANSISTOR		
	Q 5	KRA102S-X	DIGITAL.TR		
	Q 743	2SD2144S/VW/-T	TRANSISTOR	AMUTE1	
	Q 744	2SD2144S/VW/-T	TRANSISTOR	AMUTE1	b,bken,e,ee,slen
	Q 753	2SD2144S/VW/-T	TRANSISTOR	AMUTE1	
	Q 754	2SD2144S/VW/-T	TRANSISTOR	AMUTE1	b,bken,e,ee,slen
	Q 755	2SD2144S/VW/-T	TRANSISTOR	FREQ	
	Q 756	2SD2144S/VW/-T	TRANSISTOR	FREQ	
	Q 791	2SC2412K/RS/-X	CHIP TRANSISTOR		
	Q 792	KRA102S-X	DIGITAL.TR		
	Q 804	KRC102S-X	DIGITAL.TR		b,bken,e,ee,slen
	Q 805	KRA102S-X	DIGITAL.TR		b,bken,e,ee,slen
	Q 806	KRC102S-X	DIGITAL.TR		b,bken,e,ee,slen
	Q 807	KRC102S-X	DIGITAL.TR		b,bken,e,ee,slen
	Q 808	KRA102S-X	DIGITAL.TR		b,bken,e,ee,slen
	Q 809	KRC102S-X	DIGITAL.TR		b,bken,e,ee,slen
	Q 951	KTD863/Y/-T	TRANSISTOR		
	Q 952	KRA104S-X	DIGITAL.TR		
	Q 991	KTC3199/Y/-T	TR I/M		
	R 1	NRSA63J-331X	MG RESISTOR		
	R 3	NRSA63J-431X	MG RESISTOR		
	R 4	NRSA63J-431X	MG RESISTOR		
	R 5	NRSA63J-561X	MG RESISTOR		
	R 6	NRSA63J-431X	MG RESISTOR		
	R 7	NRSA63J-222X	MG RESISTOR		
	R 8	NRSA63J-681X	MG RESISTOR		
	R 9	NRSA63J-681X	MG RESISTOR		
	R 10	NRSA63J-681X	MG RESISTOR		
	R 11	NRSA63J-681X	MG RESISTOR		
	R 12	NRSA63J-391X	MG RESISTOR		uj,us,uw
	R 13	NRSA63J-391X	MG RESISTOR		uj,us,uw
	R 14	NRSA63J-201X	MG RESISTOR		uj,us,uw
	R 15	NRSA63J-201X	MG RESISTOR		uj,us,uw
	R 16	NRSA63J-222X	MG RESISTOR		
	R 18	NRSA63J-102X	MG RESISTOR		
	R 19	NRSA63J-472X	MG RESISTOR		
	R 20	NRSA63J-102X	MG RESISTOR		
	R 21	NRSA63J-103X	MG RESISTOR		
	R 22	NRSA63J-103X	MG RESISTOR		
	R 23	NRSA63J-222X	MG RESISTOR		
	R 700	NRSA63J-105X	MG RESISTOR		
	R 701	NRSA63J-103X	MG RESISTOR		
	R 702	NRSA63J-105X	MG RESISTOR		
	R 703	NRSA63J-103X	MG RESISTOR		
	R 705	NRSA63J-105X	MG RESISTOR		
	R 706	NRSA63J-104X	MG RESISTOR		
	R 708	NRSA63J-101X	MG RESISTOR		
	R 711	QRE141J-680Y	C RESISTOR	68 5% 1/4W	
	R 712	QRE141J-100Y	C RESISTOR	10 5% 1/4W	
	R 713	QRE141J-100Y	C RESISTOR	10 5% 1/4W	
	R 715	QRE141J-100Y	C RESISTOR	10 5% 1/4W	
	R 721	NRSA63J-471X	MG RESISTOR		
	R 723	NRSA63J-471X	MG RESISTOR		
	R 724	NRSA63J-471X	MG RESISTOR		
	R 725	NRSA63J-471X	MG RESISTOR		
	R 726	QRE141J-680Y	C RESISTOR	68 5% 1/4W	
	R 728	NRSA63J-471X	MG RESISTOR		
	R 729	NRSA63J-471X	MG RESISTOR		
	R 731	QRE141J-332Y	C RESISTOR	3.3K 5% 1/4W	
	R 740	QRE141J-273Y	C RESISTOR	27K 5% 1/4W	
	R 741	QRE141J-273Y	C RESISTOR	27K 5% 1/4W	
	R 742	QRA14CF-1802Y	M.F.RESISTOR	18 1/4W	
	R 743	QRA14CF-1802Y	M.F.RESISTOR	18 1/4W	
	R 744	NRSA63J-362X	MG RESISTOR		
	R 746	QRA14CF-3301Y	MF.RES IM	33 1/4W	

■ Electrical parts list (Main board)

Block No. 01

△	Item	Parts number	Parts name	Remarks	Area
	R 747	NRSA63J-362X	MG RESISTOR		
	R 748	QRA14CF-6800Y	M.F.RESISTOR	68 1/4W	
	R 750	QRE141J-273Y	C RESISTOR	27K 5% 1/4W	
	R 751	QRE141J-273Y	C RESISTOR	27K 5% 1/4W	
	R 752	QRA14CF-1802Y	M.F.RESISTOR	18 1/4W	
	R 753	QRA14CF-1802Y	M.F.RESISTOR	18 1/4W	
	R 754	NRSA63J-362X	MG RESISTOR		
	R 756	QRA14CF-3301Y	MF.RES IM	33 1/4W	
	R 757	NRSA63J-362X	MG RESISTOR		
	R 758	QRA14CF-6800Y	M.F.RESISTOR	68 1/4W	
	R 761	QRA14CF-6200Y	M.F.RESISTOR	62 1/4W	
	R 762	QRE141J-821Y	C RESISTOR	820 5% 1/4W	
	R 763	NRSA63J-362X	MG RESISTOR		
	R 764	QRE141J-183Y	C RESISTOR	18K 5% 1/4W	
	R 765	QRE141J-561Y	C RESISTOR	560 5% 1/4W	
	R 766	QRE141J-273Y	C RESISTOR	27K 5% 1/4W	
	R 767	QRE141J-101Y	C RESISTOR	100 5% 1/4W	
	R 768	NRSA63J-103X	MG RESISTOR		b,bken,e,ee,slen
	R 769	NRSA63J-103X	MG RESISTOR		b,bken,e,ee,slen
	R 771	QRA14CF-6200Y	M.F.RESISTOR	62 1/4W	
	R 772	QRE141J-821Y	C RESISTOR	820 5% 1/4W	
	R 773	NRSA63J-362X	MG RESISTOR		
	R 774	QRE141J-183Y	C RESISTOR	18K 5% 1/4W	
	R 775	QRE141J-561Y	C RESISTOR	560 5% 1/4W	
	R 776	QRE141J-273Y	C RESISTOR	27K 5% 1/4W	
	R 777	QRE141J-101Y	C RESISTOR	100 5% 1/4W	
	R 778	NRSA63J-103X	MG RESISTOR		
	R 779	NRSA63J-103X	MG RESISTOR		b,bken,e,ee,slen
	R 780	QRE141J-112Y	C RESISTOR	1.1K 5% 1/4W	b,bken,e,ee,slen
	R 781	QRE141J-112Y	C RESISTOR	1.1K 5% 1/4W	b,bken,e,ee,slen
	R 782	QRE141J-221Y	C RESISTOR	220 5% 1/4W	
	R 783	QRE141J-221Y	C RESISTOR	220 5% 1/4W	
	R 789	NRSA63J-103X	MG RESISTOR		
	R 790	QRE141J-112Y	C RESISTOR	1.1K 5% 1/4W	b,bken,e,ee,slen
	R 791	QRE141J-112Y	C RESISTOR	1.1K 5% 1/4W	b,bken,e,ee,slen
	R 792	QRE141J-221Y	C RESISTOR	220 5% 1/4W	
	R 793	QRE141J-221Y	C RESISTOR	220 5% 1/4W	
	R 794	NRSA63J-103X	MG RESISTOR		
	R 795	NRSA63J-103X	MG RESISTOR		
	R 796	NRSA63J-103X	MG RESISTOR		
	R 797	QRE141J-473Y	C RESISTOR	47K 5% 1/4W	
	R 798	NRSA63J-473X	MG RESISTOR		
	R 799	NRSA63J-333X	MG RESISTOR		
	R 801	NRSA63J-750X	MG RESISTOR		uj,us,uw
	R 802	NRSA63J-750X	MG RESISTOR		uj,us,uw
	R 803	NRSA63J-750X	MG RESISTOR		uj,us,uw
	R 804	NRSA63J-750X	MG RESISTOR		
	R 805	NRSA63J-750X	MG RESISTOR		
	R 808	NRSA63J-750X	MG RESISTOR		
	R 809	NRSA63J-103X	MG RESISTOR		b,bken,e,ee,slen
	R 810	NRSA63J-750X	MG RESISTOR		b,bken,e,ee,slen
	R 811	NRSA63J-750X	MG RESISTOR		b,bken,e,ee,slen
	R 812	NRSA63J-750X	MG RESISTOR		b,bken,e,ee,slen
	R 813	NRSA63J-750X	MG RESISTOR		b,bken,e,ee,slen
	R 814	NRSA63J-104X	MG RESISTOR		b,bken,e,ee,slen
	R 815	NRSA63J-102X	MG RESISTOR		b,bken,e,ee,slen
	R 816	NRSA63J-102X	MG RESISTOR		b,bken,e,ee,slen
	R 818	QRE141J-101Y	C RESISTOR	100 5% 1/4W	b,bken,e,ee,slen
	R 826	NRSA63J-150X	MG RESISTOR		b,bken,e,ee,slen
	R 827	NRSA63J-150X	MG RESISTOR		b,bken,e,ee,slen
	R 831	NRSA63J-102X	MG RESISTOR		
	R 832	NRSA63J-0R0X	MG RESISTOR		b,bken,e,ee,slen
	R 833	NRSA63J-750X	MG RESISTOR		
	R 834	NRSA63J-102X	MG RESISTOR		
	R 835	NRSA63J-750X	MG RESISTOR		
	R 836	NRSA63J-102X	MG RESISTOR		

△	Item	Parts number	Parts name	Remarks	Area
	R 837	NRSA63J-750X	MG RESISTOR		
	R 838	NRSA63J-102X	MG RESISTOR		
	R 839	NRSA63J-910X	MG RESISTOR		b,bken,e,ee,slen
	R 839	NRSA63J-750X	MG RESISTOR		uj,us,uw
	R 840	NRSA63J-103X	MG RESISTOR		
	R 841	NRSA63J-271X	MG RESISTOR		b,bken,e,ee,slen
	R 900	NRSA63J-221X	MG RESISTOR		
△	R 901	QRL01DJ-683X	OMF RESISTOR	68K 5% 1/1W	
△	R 903	QRE141J-510Y	C RESISTOR	51 5% 1/4W	
	R 904	QRE141J-222Y	C RESISTOR	2.2K 5% 1/4W	
△	R 905	QRL027J-683	OMF RESISTOR	68K 5% 1/2W	
	R 906	QRE141J-681Y	C RESISTOR	680 5% 1/4W	
△	R 907	QRT022J-R47	OMF RESISTOR	5% 1/2W	
	R 908	QRE141J-332Y	C RESISTOR	3.3K 5% 1/4W	
	R 910	QRE141J-754Y	C RESISTOR	750K 5% 1/4W	
	R 911	QRE141J-754Y	C RESISTOR	750K 5% 1/4W	
	R 920	QRZ9044-335	COMP.RESISTOR	3.3M 1/0W	
	R 952	NRSA63J-103X	MG RESISTOR		
	R 953	NRSA63J-103X	MG RESISTOR		
	R 955	NRSA63J-223X	MG RESISTOR		
	R 956	QRE141J-120Y	C RESISTOR	12 5% 1/4W	
	R 960	NRSA63J-101X	MG RESISTOR		
	R 961	NRSA63J-681X	MG RESISTOR		
	R 963	NRSA63J-101X	MG RESISTOR		
	R 965	NRSA63J-103X	MG RESISTOR		
	R 969	NRSA63J-221X	MG RESISTOR		
△	R 992	QRZ9005-100X	F.RES I/M	10 1/0W	
	R1500	QRA14CF-1802Y	M.F.RESISTOR	18 1/4W	
	R1501	QRA14CF-1802Y	M.F.RESISTOR	18 1/4W	
	R1721	QRE141J-331Y	C RESISTOR	330 5% 1/4W	
	R1722	NRSA63J-750X	MG RESISTOR		
	R1723	NRSA63J-270X	MG RESISTOR		
	R1724	NRSA63J-101X	MG RESISTOR		
	S 1	QSW0651-001Z	TACT SWITCH		
	S 2	QSW0651-001Z	TACT SWITCH		
	S 3	QSW0651-001Z	TACT SWITCH		
	S 4	QSW0651-001Z	TACT SWITCH		
	S 5	QSW0651-001Z	TACT SWITCH		
	S 6	QSW0651-001Z	TACT SWITCH		
	S 7	QSW0651-001Z	TACT SWITCH		
	S 801	QSW0454-001	SW	RGB/YC	b,bken,e,ee,slen,us,uw
△	T 901	QQS0100-001	SW TRANSF		
	T1701	QQR1185-001	PULSE TRANS		
	X 1	NAX0477-001X	RESONATOR I.M		

■ Electrical parts list (Servo control board) Block No. 02

△	Item	Parts number	Parts name	Remarks	Area	△	Item	Parts number	Parts name	Remarks	Area
	C 101	NCB31CK-104X	C CAPACITOR				C 237	NCB31CK-104X	C CAPACITOR		
	C 104	NCB31CK-104X	C CAPACITOR				C 238	NCB31CK-104X	C CAPACITOR		
	C 105	NEA70JM-476X	E.CAPACITOR				C 239	NCB31CK-183X	C CAPACITOR		
	C 106	NEA70JM-476X	E.CAPACITOR				C 240	NCS31HJ-101X	C.CAPA. C.M		
	C 107	NCB31CK-104X	C CAPACITOR				C 241	NCB31CK-103X	C CAPACITOR		
	C 108	NCB31CK-104X	C CAPACITOR				C 242	NCB11CK-105X	C CAPACITOR		
	C 109	NCB31CK-104X	C CAPACITOR				C 244	NCB31CK-104X	C CAPACITOR		
	C 118	NCB21CK-154X	C.CAPA. C.M				C 245	NCB31CK-103X	C CAPACITOR		
	C 119	NCS31HJ-221X	C.CAPA. C.M				C 246	NCB31CK-104X	C CAPACITOR		
	C 120	NCS31HJ-820X	C CAPACITOR				C 247	NCB31CK-104X	C CAPACITOR		
	C 121	NCS31HJ-220X	C CAPACITOR				C 248	NCB21CK-154X	C.CAPA. C.M		
	C 122	NCB31HK-181X	C CAPACITOR				C 249	NCB31CK-223X	C CAPACITOR		
	C 123	NCB31CK-104X	C CAPACITOR				C 251	NCB31CK-104X	C CAPACITOR		
	C 124	NCB31CK-104X	C CAPACITOR				C 252	NEA71CM-226X	E.CAPAP. C.M		
	C 125	NCB31CK-104X	C CAPACITOR				C 253	NCB31CK-104X	C CAPACITOR		
	C 126	NEA70JM-107X	E.CAPACITOR				C 254	NEA70JM-226X	E CAPACITOR		
	C 127	NCB31HK-102X	C CAPACITOR				C 255	NCB31HK-223X	C CAPACITOR		
	C 128	NCB31CK-104X	C CAPACITOR				C 256	NCB31CK-104X	C CAPACITOR		
	C 130	NCB31CK-104X	C CAPACITOR				C 257	NCB31CK-103X	C CAPACITOR		
	C 131	NCS31HJ-120X	C.CAPA. C.M				C 258	NCB31CK-103X	C CAPACITOR		
	C 132	NCB31CK-104X	C CAPACITOR				C 259	NCB31CK-103X	C CAPACITOR		
	C 133	NCB31HK-561X	C CAPACITOR				C 260	NCB31CK-104X	C CAPACITOR		
	C 134	NCB31HK-561X	C CAPACITOR				C 261	NCB31CK-104X	C CAPACITOR		
	C 135	NCB31CK-273X	C CAPACITOR				C 262	NCB31CK-104X	C CAPACITOR		
	C 136	NCB31CK-473X	C CAPACITOR				C 263	NCB31CK-104X	C CAPACITOR		
	C 138	NCB31CK-104X	C CAPACITOR				C 264	NCB31CK-103X	C CAPACITOR		
	C 139	NCB31CK-104X	C CAPACITOR				C 271	NEA70JM-226X	E CAPACITOR		
	C 140	NEA70JM-226X	E CAPACITOR				C 273	NCB31CK-104X	C CAPACITOR		
	C 141	NCB31CK-104X	C CAPACITOR				C 274	NCB31CK-104X	C CAPACITOR		
	C 143	NCB31CK-104X	C CAPACITOR				C 275	NCB31HK-271X	C CAPACITOR		
	C 144	NCB31CK-104X	C CAPACITOR				C 277	NCB31HK-102X	C CAPACITOR		
	C 145	NCB31CK-103X	C CAPACITOR				C 278	NCB31HK-102X	C CAPACITOR		
	C 151	NEA70JM-226X	E CAPACITOR				C 281	NCB31HK-223X	C CAPACITOR		
	C 152	NEA70JM-226X	E CAPACITOR				C 282	NCB31CK-103X	C CAPACITOR		
	C 159	NCB31CK-104X	C CAPACITOR				C 286	NEA71HM-105X	E.CAPA. C.M.		
	C 160	NCB31CK-104X	C CAPACITOR				C 287	NCB31CK-104X	C CAPACITOR		
	C 161	NEA70GM-336X	E CAPACITOR				C 288	NEA71HM-105X	E.CAPA. C.M.		
	C 201	NCB11CK-474X	C.CAPA. C.M				C 301	NCB31CK-104X	C CAPACITOR		
	C 202	NCB31HK-561X	C CAPACITOR				C 302	NCB31CK-104X	C CAPACITOR		
	C 203	NCB31HK-561X	C CAPACITOR				C 303	NCB31CK-104X	C CAPACITOR		
	C 204	NCB31HK-331X	C CAPACITOR				C 304	NCB31CK-104X	C CAPACITOR		
	C 205	NCS31HJ-121X	C CAPACITOR				C 305	NCB31CK-104X	C CAPACITOR		
	C 206	NCS31HJ-271X	C CAPACITOR				C 306	NCB31CK-104X	C CAPACITOR		
	C 207	NCB31HK-471X	C CAPACITOR				C 307	NCB31CK-104X	C CAPACITOR		
	C 208	NCB31CK-104X	C CAPACITOR				C 309	NCB31CK-104X	C CAPACITOR		
	C 209	NCB31HK-102X	C CAPACITOR				C 310	NCB31CK-104X	C CAPACITOR		
	C 210	NCB31HK-102X	C CAPACITOR				C 311	NCB31CK-104X	C CAPACITOR		
	C 213	NCB31CK-104X	C CAPACITOR				C 314	NCB31CK-104X	C CAPACITOR		
	C 214	NCB31CK-104X	C CAPACITOR				C 315	NCB31CK-104X	C CAPACITOR		
	C 215	NEA70JM-336X	E CAPACITOR				C 316	NEA70GM-107X	E CAPACITOR		
	C 216	NCB11CK-105X	C CAPACITOR				C 317	NCB11CK-105X	C CAPACITOR		
	C 217	NEA70JM-107X	E.CAPACITOR				C 318	NCB31CK-104X	C CAPACITOR		
	C 218	NCB31CK-104X	C CAPACITOR				C 319	NCB31CK-104X	C CAPACITOR		
	C 219	NEA70JM-107X	E.CAPACITOR				C 320	NCB31CK-104X	C CAPACITOR		
	C 220	NCB11CK-105X	C CAPACITOR				C 321	NCB31CK-104X	C CAPACITOR		
	C 221	NCB31HK-561X	C CAPACITOR				C 324	NCB31CK-104X	C CAPACITOR		
	C 222	NCB31CK-104X	C CAPACITOR				C 326	NCB31CK-104X	C CAPACITOR		
	C 223	NCB31CK-104X	C CAPACITOR				C 327	NEA70GM-107X	E CAPACITOR		
	C 224	NCB31CK-104X	C CAPACITOR				C 401	NCB31CK-104X	C CAPACITOR		
	C 225	NBE91CM-105X	E CAPACITOR				C 402	NCB31CK-104X	C CAPACITOR		
	C 227	NCB31HK-102X	C CAPACITOR				C 405	NCB31CK-104X	C CAPACITOR		
	C 228	NCB31HK-102X	C CAPACITOR				C 406	NCB31CK-104X	C CAPACITOR		
	C 229	NCB31CK-104X	C CAPACITOR				C 407	NCB31CK-104X	C CAPACITOR		
	C 231	NCB31CK-103X	C CAPACITOR				C 408	NEA70JM-226X	E CAPACITOR		
	C 232	NCB31HK-102X	C CAPACITOR				C 409	NCB31CK-104X	C CAPACITOR		
	C 233	NCB31CK-104X	C CAPACITOR				C 412	NCB31CK-104X	C CAPACITOR		

■ Electrical parts list (Servo control board) Block No. 02

△	Item	Parts number	Parts name	Remarks	Area	△	Item	Parts number	Parts name	Remarks	Area
	C 501	NCB31CK-104X	C CAPACITOR				C 708	NCB31CK-104X	C CAPACITOR		
	C 502	NCB31CK-104X	C CAPACITOR				C 709	NCB31CK-104X	C CAPACITOR		
	C 503	NCB31CK-104X	C CAPACITOR				C 710	NCB31CK-104X	C CAPACITOR		
	C 504	NDC31HG-120X	C CAPACITOR				C 711	NCB31CK-104X	C CAPACITOR		
	C 505	NDC31HG-130X	C CAPACITOR				C 712	NCB31CK-104X	C CAPACITOR		
	C 509	NCB31CK-104X	C CAPACITOR				C 713	NCB31CK-104X	C CAPACITOR		
	C 510	NCB31CK-104X	C CAPACITOR				C 714	NCB31CK-104X	C CAPACITOR		
	C 511	NEA70JM-226X	E CAPACITOR				C 715	NCB31CK-104X	C CAPACITOR		
	C 512	NCB31CK-104X	C CAPACITOR				C 716	NCS31HJ-100X	C CAPACITOR		
	C 513	NCB31CK-104X	C CAPACITOR				C 717	NCS31HJ-100X	C CAPACITOR		
	C 514	NCB31CK-104X	C CAPACITOR				C 718	NCB31CK-104X	C CAPACITOR		
	C 515	NCB31CK-104X	C CAPACITOR				C 901	NEA70JM-226X	E CAPACITOR		
	C 516	NCB31CK-104X	C CAPACITOR				C 902	NCB31CK-104X	C CAPACITOR		
	C 517	NCB31CK-104X	C CAPACITOR				C 903	NEA70JM-226X	E CAPACITOR		
	C 518	NCB31CK-104X	C CAPACITOR				C 904	NCB31CK-104X	C CAPACITOR		
	C 519	NCB31CK-104X	C CAPACITOR				C 905	NEA70JM-107X	E CAPACITOR		
	C 520	NCB31CK-104X	C CAPACITOR				C 906	NCB31CK-104X	C CAPACITOR		
	C 523	NCB31CK-104X	C CAPACITOR				C 907	NEA70JM-107X	E CAPACITOR		
	C 524	NEA70JM-226X	E CAPACITOR				C 908	NCB31CK-104X	C CAPACITOR		
	C 525	NCB31CK-104X	C CAPACITOR				C 911	NCB31CK-104X	C CAPACITOR		
	C 526	NCB31CK-104X	C CAPACITOR				C 912	NCB31CK-104X	C CAPACITOR		
	C 527	NEA70JM-107X	E CAPACITOR				C 913	NCB31CK-104X	C CAPACITOR		
	C 528	NCB31CK-104X	C CAPACITOR				C 914	NCB31CK-104X	C CAPACITOR		
	C 529	NCB31CK-104X	C CAPACITOR				C 915	NCB31CK-104X	C CAPACITOR		
	C 531	NCB31CK-104X	C CAPACITOR				C 992	NCB31CK-104X	C CAPACITOR		
	C 532	NCB31CK-104X	C CAPACITOR				C 993	NCB31CK-104X	C CAPACITOR		
	C 533	NCB31CK-104X	C CAPACITOR				C 994	NCB31CK-104X	C CAPACITOR		
	C 534	NCB31CK-104X	C CAPACITOR				C 995	NCB31CK-104X	C CAPACITOR		
	C 535	NCB31CK-104X	C CAPACITOR				C 996	NCB31CK-104X	C CAPACITOR		
	C 536	NCB31CK-104X	C CAPACITOR				C 997	NCB31CK-104X	C CAPACITOR		
	C 539	NCB31CK-104X	C CAPACITOR				C 998	NCB31CK-104X	C CAPACITOR		
	C 540	NCB31CK-104X	C CAPACITOR				C1000	NCB31CK-104X	C CAPACITOR		
	C 541	NCB31CK-104X	C CAPACITOR				C1001	NCB31CK-104X	C CAPACITOR		
	C 542	NCB31CK-104X	C CAPACITOR				C1002	NCB31CK-104X	C CAPACITOR		
	C 543	NCB31CK-104X	C CAPACITOR				C1003	NCB31CK-104X	C CAPACITOR		
	C 544	NCB31CK-104X	C CAPACITOR				C1004	NCB31CK-104X	C CAPACITOR		
	C 545	NCB31CK-104X	C CAPACITOR				C1005	NCB31CK-104X	C CAPACITOR		
	C 547	NCB31CK-104X	C CAPACITOR				C1006	NCB31CK-103X	C CAPACITOR		
	C 548	NCB31CK-104X	C CAPACITOR				CN101	QGF0501F2-30X	FC/FPC CONNE	PU	
	C 549	NEA70JM-227X	E CAPACITOR				CN105	QGF1016C2-05W	FFC/FPC CONNE	DEVICEKEY	
	C 550	NCB31CK-104X	C CAPACITOR				CN201	QGF1016F2-15W	CONNECTOR C.M	SP&STP	
	C 551	NEA70JM-227X	E CAPACITOR				CN202	QGF1016F2-06W	W TO B CONNE	LOADER	
	C 554	NCB31CK-104X	C CAPACITOR				CN502	QGB2027L1-26X	B TO B CONNE	SYSTEM	
	C 555	NCB31CK-104X	C CAPACITOR				CN503	QGB2027L1-26X	B TO B CONNE	VIDEO	
	C 557	NCB31CK-104X	C CAPACITOR				IC101	AN8702FH	IC		
	C 558	NCB11CK-105X	C CAPACITOR				IC102	MM3022JN-X	IC		
	C 568	NEA70JM-226X	E CAPACITOR				IC201	MN67706ZY	IC		
	C 569	NCB31CK-104X	C CAPACITOR				IC251	BA6664FM-X	LSI		
	C 571	NEA70JM-226X	E CAPACITOR				IC271	BA5983FM-X	IC		
	C 572	NCB31CK-104X	C CAPACITOR				IC301	MN103S13BDA	IC		
	C 573	NEA70JM-227X	E CAPACITOR				IC401	MN102L25GGT3	IC		
	C 578	NCB31CK-104X	C CAPACITOR				IC403	AK93C65AF-X	IC		
	C 580	NEA70JM-226X	E CAPACITOR				IC501	NDV8601VWA-BB	IC		
	C 581	NEX50GM-107X	E CAPACITOR				IC505	K4S643232E-TC70	IC		
	C 582	NEA70JM-226X	E CAPACITOR				IC509	SST39VF160-7CEK	IC	LSB	
	C 601	NEA70JM-226X	E CAPACITOR				IC510	AK93C65AF-X	IC		
	C 602	NEA70JM-226X	E CAPACITOR				IC511	LM1117MP1.8-X	IC		
	C 619	NCB31CK-104X	C CAPACITOR				IC512	74LCX373MTC-X	IC(DIGITAL)		
	C 620	NCB31CK-104X	C CAPACITOR				IC513	74LCX373MTC-X	IC(DIGITAL)		
	C 621	NCB31CK-104X	C CAPACITOR				IC521	MM74HCT32MTC-X	IC		
	C 702	NCB31CK-104X	C CAPACITOR				IC522	74LCX32MTC-X	IC(DIGITAL)		
	C 703	NCB31CK-104X	C CAPACITOR				IC523	NC7SZ125P5-X	IC(DIGITAL)		
	C 704	NCB31CK-104X	C CAPACITOR				IC701	JCV8005-3	IC		
	C 705	NCB31CK-104X	C CAPACITOR				K 102	NQR0007-002X	FERRITE BEADS		
	C 706	NCB31CK-104X	C CAPACITOR				K 103	NQR0007-002X	FERRITE BEADS		
	C 707	NCB31CK-104X	C CAPACITOR				K 104	NQR0265-003X	FERRITE BEADS		

■ Electrical parts list (Servo control board) Block No. 02

△	Item	Parts number	Parts name	Remarks	Area
	K 201	NQR0007-002X	FERRITE BEADS		
	K 202	NQR0007-002X	FERRITE BEADS		
	K 203	NQR0007-002X	FERRITE BEADS		
	K 301	NQR0007-002X	FERRITE BEADS		
	K 302	NQR0007-002X	FERRITE BEADS		
	K 303	NQR0007-002X	FERRITE BEADS		
	K 402	NQR0007-002X	FERRITE BEADS		
	K 501	NQR0007-002X	FERRITE BEADS		
	K 504	NQR0007-002X	FERRITE BEADS		
	K 505	NQR0007-002X	FERRITE BEADS		
	K 507	NQR0007-002X	FERRITE BEADS		
	K 508	NQR0007-002X	FERRITE BEADS		
	K 509	NQR0007-002X	FERRITE BEADS		
	K 510	NQR0007-002X	FERRITE BEADS		
	K 513	NQR0007-002X	FERRITE BEADS		
	K 515	NQR0007-002X	FERRITE BEADS		
	K 518	NQR0007-002X	FERRITE BEADS		
	K 519	NQR0007-002X	FERRITE BEADS		
	K 520	NQR0007-002X	FERRITE BEADS		
	K 556	NQR0007-002X	FERRITE BEADS		
	K 557	NQR0007-002X	FERRITE BEADS		
	K 558	NQR0007-002X	FERRITE BEADS		
	K 559	NQR0007-002X	FERRITE BEADS		
	K 562	NQR0007-002X	FERRITE BEADS		
	K 564	NQR0007-002X	FERRITE BEADS		
	K 565	NQR0007-002X	FERRITE BEADS		
	K 566	NQR0007-002X	FERRITE BEADS		
	K 567	NQR0007-002X	FERRITE BEADS		
	K 569	NQR0007-002X	FERRITE BEADS		
	K 570	NQR0007-002X	FERRITE BEADS		
	K 571	NQR0007-002X	FERRITE BEADS		
	K 572	NQR0007-002X	FERRITE BEADS		
	K 573	NQR0007-002X	FERRITE BEADS		
	K 574	NQR0007-002X	FERRITE BEADS		
	K 575	NQR0007-002X	FERRITE BEADS		
	K 576	NQR0007-002X	FERRITE BEADS		
	K 577	NQR0007-002X	FERRITE BEADS		
	K 582	NQR0007-002X	FERRITE BEADS		
	K 586	NQR0007-002X	FERRITE BEADS		
	K 593	NQR0007-002X	FERRITE BEADS		
	K 594	NQR0007-002X	FERRITE BEADS		
	K 701	NQR0007-002X	FERRITE BEADS		
	L 501	NQL044K-100X	INDUCTOR		
	L 901	NQL044K-100X	INDUCTOR		
	L 902	NQL044K-100X	INDUCTOR		
	Q 101	KTA1001/Y/-X	TRANSISTOR		
	Q 102	KTA1001/Y/-X	TRANSISTOR		
	Q 501	2SB1424/QR/-X	TRANSISTOR		
	Q 502	2SC2412K/RS/-X	CHIP TRANSISTOR		
	Q 901	KTC4377/C/-X	POW TRANSISTOR		
	R 101	NRSA63J-103X	MG RESISTOR		
	R 102	NRSA63J-333X	MG RESISTOR		
	R 103	NRSA63J-333X	MG RESISTOR		
	R 104	NRS125J-270X	MG RESISTOR		
	R 105	NRS125J-270X	MG RESISTOR		
	R 106	NRSA63J-2R2X	MG RESISTOR		
	R 107	NRSA63J-2R2X	MG RESISTOR		
	R 108	NRSA63J-473X	MG RESISTOR		
	R 110	NRSA63J-273X	MG RESISTOR		
	R 112	NRSA63J-273X	MG RESISTOR		
	R 113	NRSA63J-682X	MG RESISTOR		
	R 114	NRSA63J-102X	MG RESISTOR		
	R 115	NRVA63D-243X	RES. C.M		
	R 116	NRSA63J-683X	MG RESISTOR		
	R 117	NRSA63J-123X	MG RESISTOR		
	R 118	NRSA63J-303X	MG RESISTOR		

△	Item	Parts number	Parts name	Remarks	Area
	R 121	NRSA63J-0R0X	MG RESISTOR		
	R 122	NRSA63J-0R0X	MG RESISTOR		
	R 123	NRSA63J-0R0X	MG RESISTOR		
	R 124	NRSA63J-0R0X	MG RESISTOR		
	R 127	NRSA63J-222X	MG RESISTOR		
	R 128	NRSA63J-105X	MG RESISTOR		
	R 129	NRSA63J-105X	MG RESISTOR		
	R 131	NRSA63J-822X	MG RESISTOR		
	R 132	NRSA63J-103X	MG RESISTOR		
	R 152	NRS125J-1R0X	MG RESISTOR		
	R 153	NRS125J-4R7X	MG RESISTOR		
	R 155	NRSA63J-0R0X	MG RESISTOR		
	R 166	NRSA63J-182X	MG RESISTOR		
	R 202	NRSA63J-473X	MG RESISTOR		
	R 203	NRSA63J-473X	MG RESISTOR		
	R 204	NRSA63J-473X	MG RESISTOR		
	R 205	NRSA63J-473X	MG RESISTOR		
	R 206	NRS125J-4R7X	MG RESISTOR		
	R 208	NRSA63J-473X	MG RESISTOR		
	R 209	NRSA63J-123X	MG RESISTOR		
	R 210	NRSA63J-473X	MG RESISTOR		
	R 211	NRSA63J-273X	MG RESISTOR		
	R 212	NRSA63J-273X	MG RESISTOR		
	R 213	NRSA63J-562X	MG RESISTOR		
	R 214	NRSA63J-123X	MG RESISTOR		
	R 215	NRSA63J-105X	MG RESISTOR		
	R 218	NRSA63J-153X	MG RESISTOR		
	R 219	NRSA63J-473X	MG RESISTOR		
	R 220	NRSA63J-473X	MG RESISTOR		
	R 223	NRSA63J-473X	MG RESISTOR		
	R 225	NRSA63J-682X	MG RESISTOR		
	R 226	NRSA63J-123X	MG RESISTOR		
	R 227	NRSA63J-102X	MG RESISTOR		
	R 228	NRSA63J-473X	MG RESISTOR		
	R 229	NRSA63J-273X	MG RESISTOR		
	R 230	NRSA63J-273X	MG RESISTOR		
	R 231	NRSA63J-0R0X	MG RESISTOR		
	R 232	NRSA63J-472X	MG RESISTOR		
	R 233	NRSA63J-472X	MG RESISTOR		
	R 234	NRSA63J-472X	MG RESISTOR		
	R 235	NRSA63J-0R0X	MG RESISTOR		
	R 236	NRSA63J-0R0X	MG RESISTOR		
	R 237	NRSA63J-221X	MG RESISTOR		
	R 238	NRSA63J-221X	MG RESISTOR		
	R 239	NRSA63J-221X	MG RESISTOR		
	R 240	NRSA63J-221X	MG RESISTOR		
	R 241	NRSA63J-221X	MG RESISTOR		
	R 242	NRSA63J-102X	MG RESISTOR		
	R 243	NRSA63J-102X	MG RESISTOR		
	R 245	NRSA63J-102X	MG RESISTOR		
	R 246	NRSA63J-102X	MG RESISTOR		
	R 248	NRSA63J-473X	MG RESISTOR		
	R 249	NRSA63J-473X	MG RESISTOR		
	R 250	NRSA63J-473X	MG RESISTOR		
	R 251	NRS125J-1R0X	MG RESISTOR		
	R 252	NRSA63J-3R3X	MG RESISTOR		
	R 254	NRSA63J-203X	MG RESISTOR		
	R 255	NRSA63J-103X	MG RESISTOR		
	R 256	NRSA63J-470X	MG RESISTOR		
	R 257	NRS125J-1R0X	MG RESISTOR		
	R 258	NRSA63J-0R0X	MG RESISTOR		
	R 259	NRSA63J-103X	MG RESISTOR		
	R 271	NRSA63J-470X	MG RESISTOR		
	R 272	NRS125J-1R0X	MG RESISTOR		
	R 273	NRSA63J-0R0X	MG RESISTOR		
	R 274	NRSA63J-103X	MG RESISTOR		

■ Electrical parts list (Servo control board) Block No. 02

▲	Item	Parts number	Parts name	Remarks	Area	▲	Item	Parts number	Parts name	Remarks	Area
	R 275	NRSA63J-103X	MG RESISTOR				R 541	NRSA63J-0R0X	MG RESISTOR		
	R 276	NRSA63J-123X	MG RESISTOR				R 543	NRSA63J-0R0X	MG RESISTOR		
	R 277	NRSA63J-123X	MG RESISTOR				R 544	NRSA63J-471X	MG RESISTOR		
	R 278	NRSA63J-103X	MG RESISTOR				R 545	NRSA63J-471X	MG RESISTOR		
	R 279	NRSA63J-103X	MG RESISTOR				R 546	NRSA63J-471X	MG RESISTOR		
	R 280	NRSA63J-392X	MG RESISTOR				R 547	NRSA63J-0R0X	MG RESISTOR		
	R 281	NRSA63J-392X	MG RESISTOR				R 548	NRSA63J-471X	MG RESISTOR		
	R 282	NRSA63J-103X	MG RESISTOR				R 549	NRSA63J-471X	MG RESISTOR		
	R 283	NRSA63J-103X	MG RESISTOR				R 550	NRSA63J-471X	MG RESISTOR		
	R 284	NRSA63J-103X	MG RESISTOR				R 551	NRSA63J-0R0X	MG RESISTOR		
	R 285	NRSA63J-103X	MG RESISTOR				R 552	NRSA63J-0R0X	MG RESISTOR		
	R 286	NRSA63J-912X	MG RESISTOR				R 553	NRSA63J-0R0X	MG RESISTOR		
	R 288	NRSA63J-0R0X	MG RESISTOR				R 565	NRVA63D-622X	CMF RESISTOR		
	R 289	NRSA63J-752X	MG RESISTOR				R 566	NRVA63D-132X	MG.RESI C.M		
	R 290	NRSA63J-752X	MG RESISTOR				R 567	NRVA63D-750X	RES. C.M	b,bken,e,ee,slen	
	R 291	NRSA63J-682X	MG RESISTOR				R 567	NRVA63D-101X	RES. C.M	uj,us,uw	
	R 292	NRSA63J-103X	MG RESISTOR				R 568	NRVA63D-750X	RES. C.M		
	R 293	NRSA63J-912X	MG RESISTOR				R 569	NRVA63D-750X	RES. C.M	b,bken,e,ee,slen	
	R 301	NRSA63J-473X	MG RESISTOR				R 569	NRVA63D-820X	RES. C.M	uj,us,uw	
	R 302	NRSA63J-473X	MG RESISTOR				R 570	NRSA63J-100X	MG RESISTOR		
	R 303	NRSA63J-473X	MG RESISTOR				R 572	NRVA63D-820X	RES. C.M		
	R 304	NRSA63J-473X	MG RESISTOR				R 573	NRSA63J-162X	MG RESISTOR		
	R 305	NRSA63J-473X	MG RESISTOR				R 574	NRSA63J-162X	MG RESISTOR		
	R 306	NRSA63J-473X	MG RESISTOR				R 575	NRSA63J-471X	MG RESISTOR		
	R 307	NRSA63J-473X	MG RESISTOR				R 576	NRSA63J-471X	MG RESISTOR		
	R 308	NRSA63J-473X	MG RESISTOR				R 578	NRSA63J-471X	MG RESISTOR		
	R 309	NRSA63J-103X	MG RESISTOR				R 579	NRSA63J-471X	MG RESISTOR		
	R 310	NRSA63J-102X	MG RESISTOR				R 580	NRSA63J-471X	MG RESISTOR		
	R 311	NRSA63J-102X	MG RESISTOR				R 583	NRSA63J-471X	MG RESISTOR		
	R 317	NRSA63J-0R0X	MG RESISTOR				R 584	NRSA63J-332X	MG RESISTOR		
	R 318	NRSA63J-0R0X	MG RESISTOR				R 585	NRSA02J-0R0X	MG RESISTOR		
	R 322	NRSA63J-473X	MG RESISTOR				R 586	NRSA02J-0R0X	MG RESISTOR		
	R 324	NRSA63J-473X	MG RESISTOR				R 587	NRSA02J-0R0X	MG RESISTOR		
	R 328	NRSA63J-473X	MG RESISTOR				R 608	NRSA63J-103X	MG RESISTOR		
	R 345	NRSA63J-562X	MG RESISTOR				R 655	NRSA63J-0R0X	MG RESISTOR		
	R 346	NRSA63J-472X	MG RESISTOR				R 713	NRSA63J-0R0X	MG RESISTOR		
	R 347	NRSA63J-102X	MG RESISTOR				R 715	NRSA63J-0R0X	MG RESISTOR		
	R 348	NRSA63J-102X	MG RESISTOR				R 717	NRSA63J-0R0X	MG RESISTOR		
	R 349	NRSA63J-102X	MG RESISTOR				R 719	NRSA63J-0R0X	MG RESISTOR		
	R 350	NRSA63J-102X	MG RESISTOR				R 721	NRSA63J-0R0X	MG RESISTOR		
	R 363	NRSA63J-472X	MG RESISTOR				R 723	NRSA63J-0R0X	MG RESISTOR		
	R 364	NRSA63J-0R0X	MG RESISTOR				R 725	NRSA63J-0R0X	MG RESISTOR		
	R 403	NRSA63J-472X	MG RESISTOR				R 727	NRSA63J-0R0X	MG RESISTOR		
	R 408	NRSA63J-472X	MG RESISTOR				R 729	NRSA63J-102X	MG RESISTOR		
	R 411	NRSA63J-472X	MG RESISTOR				R 730	NRSA63J-0R0X	MG RESISTOR		
	R 412	NRSA63J-472X	MG RESISTOR				R 731	NRSA63J-105X	MG RESISTOR		
	R 413	NRSA63J-472X	MG RESISTOR				R 732	NRSA63J-472X	MG RESISTOR		
	R 414	NRSA63J-472X	MG RESISTOR				R 733	NRSA63J-0R0X	MG RESISTOR		
	R 415	NRSA63J-472X	MG RESISTOR				R 734	NRSA63J-0R0X	MG RESISTOR		
	R 416	NRSA63J-472X	MG RESISTOR				R 735	NRSA63J-0R0X	MG RESISTOR		
	R 417	NRSA63J-472X	MG RESISTOR				R 736	NRSA63J-0R0X	MG RESISTOR		
	R 418	NRSA63J-472X	MG RESISTOR				R 738	NRSA63J-152X	MG RESISTOR		
	R 425	NRSA63J-0R0X	MG RESISTOR				R 739	NRSA63J-0R0X	MG RESISTOR		
	R 429	NRSA63J-102X	MG RESISTOR				R 740	NRSA63J-0R0X	MG RESISTOR		
	R 430	NRSA63J-102X	MG RESISTOR				R 901	NRSA63J-100X	MG RESISTOR		
	R 431	NRSA63J-102X	MG RESISTOR				R 991	NRSA63J-220X	MG RESISTOR		
	R 432	NRSA63J-102X	MG RESISTOR				R 995	NRSA63J-223X	MG RESISTOR	b,bken,e,ee,slen,us,uw	
	R 434	NRSA63J-332X	MG RESISTOR				R 996	NRSA63J-0R0X	MG RESISTOR	uj,us,uw	
	R 512	NRSA63J-332X	MG RESISTOR				R 997	NRSA63J-0R0X	MG RESISTOR	uj	
	R 521	NRSA63J-103X	MG RESISTOR				R 998	NRSA63J-152X	MG RESISTOR	b,bken,e,ee,slen	
	R 531	NRSA63J-562X	MG RESISTOR				X 401	NAX0291-001X	C OSCILLATOR		
	R 532	NRSA63J-392X	MG RESISTOR				X 501	NAX0481-001X	CRYSTAL		
	R 533	NRSA63J-102X	MG RESISTOR				X 701	NAX0277-002X	CRYSTAL		
	R 534	NRSA63J-561X	MG RESISTOR								
	R 535	NRSA63J-333X	MG RESISTOR								
	R 536	NRSA63J-102X	MG RESISTOR								

■ Electrical parts list (Audio board)

Block No. 03

△	Item	Parts number	Parts name	Remarks	Area	△	Item	Parts number	Parts name	Remarks	Area
	BK811	E409182-001SM	GRAND TERMINAL				IC822	NJM4580L	IC		
	C 838	QFLC1HJ-102Z	M CAPACITOR	1000PF 5% 50V			IC823	MN35505-X	IC C M		
	C 839	QFLC1HJ-102Z	M CAPACITOR	1000PF 5% 50V			J 811	QNN0461-001	PIN JACK		
	C 841	QFLC1HJ-222Z	M CAPACITOR	2200PF 5% 50V			J 821	QNN0455-001	PIN JACK		
	C 842	QFLC1HJ-222Z	M CAPACITOR	2200PF 5% 50V			K 811	QQR0601-001Z	FERRITE BEADS		
	C 843	QTE1E28-476Z	E CAPACITOR				K 812	QQR0601-001Z	FERRITE BEADS		
	C 844	QTE1E28-476Z	E CAPACITOR				K 813	QQR0601-001Z	FERRITE BEADS		
	C 845	QTE1C28-227Z	E CAPACITOR				K 821	QQR0601-001Z	FERRITE BEADS		
	C 846	QTE1C28-227Z	E CAPACITOR				K 822	QQR0601-001Z	FERRITE BEADS		
	C 847	QTE1C28-227Z	E CAPACITOR				K 823	QQR0601-001Z	FERRITE BEADS		
	C 848	QTE1C28-227Z	E CAPACITOR				Q 811	2SD2144S/VW/T	TRANSISTOR		
	C 849	QFN31HJ-102Z	M CAPACITOR	1000PF 5% 50V			Q 812	2SD2144S/VW/T	TRANSISTOR		
	C 850	QFN31HJ-102Z	M CAPACITOR	1000PF 5% 50V			Q 821	2SD2144S/VW/T	TRANSISTOR		
	C 851	QFLC1HJ-123Z	M CAPACITOR	.012MF 5% 50V			Q 822	2SD2144S/VW/T	TRANSISTOR		
	C 852	QFLC1HJ-123Z	M CAPACITOR	.012MF 5% 50V			R 861	QRE141J-103Y	C RESISTOR	10K 5% 1/4W	
	C 853	QFLC1HJ-121Z	M CAPACITOR	120PF 5% 50V			R 862	QRE141J-103Y	C RESISTOR	10K 5% 1/4W	
	C 854	QFLC1HJ-121Z	M CAPACITOR	120PF 5% 50V			R 863	QRE141J-101Y	C RESISTOR	100 5% 1/4W	
	C 855	QFN31HJ-472Z	M CAPACITOR	4700PF 5% 50V			R 864	QRE141J-101Y	C RESISTOR	100 5% 1/4W	
	C 856	QFN31HJ-472Z	M CAPACITOR	4700PF 5% 50V			R 865	QRE141J-561Y	C RESISTOR	560 5% 1/4W	
	C 857	QFLC1HJ-122Z	M.CAPA. I.M	1200PF 5% 50V			R 866	QRE141J-561Y	C RESISTOR	560 5% 1/4W	
	C 858	QFLC1HJ-122Z	M.CAPA. I.M	1200PF 5% 50V			R 867	QRE141J-273Y	C RESISTOR	27K 5% 1/4W	
	C 859	QTE0J28-477Z	E CAPACITOR				R 868	QRE141J-273Y	C RESISTOR	27K 5% 1/4W	
	C 860	QTE0J28-477Z	E CAPACITOR				R 869	QRE141J-183Y	C RESISTOR	18K 5% 1/4W	
	C 861	QCZ0202-155Z	ML C CAPA I/M	1.5MF			R 870	QRE141J-183Y	C RESISTOR	18K 5% 1/4W	
	C 862	QCZ0202-155Z	ML C CAPA I/M	1.5MF			R 871	QRE141J-102Y	C RESISTOR	1.0K 5% 1/4W	
	C 863	QCZ0202-155Z	ML C CAPA I/M	1.5MF			R 872	QRE141J-102Y	C RESISTOR	1.0K 5% 1/4W	
	C 864	QCZ0202-155Z	ML C CAPA I/M	1.5MF			R 873	QRE141J-221Y	C RESISTOR	220 5% 1/4W	
	C 866	QFN31HJ-103Z	M CAPACITOR	.010MF 5% 50V			R 874	QRE141J-221Y	C RESISTOR	220 5% 1/4W	
	C 867	QFVJ1HJ-224Z	MF CAPACITOR	.22MF 5% 50V			R 875	QRE141J-221Y	C RESISTOR	220 5% 1/4W	
	C 868	QTE0J28-477Z	E CAPACITOR				R 876	QRE141J-221Y	C RESISTOR	220 5% 1/4W	
	C 869	QFLC1HJ-152Z	M CAPACITOR	1500PF 5% 50V			R 877	QRA14CF-7500Y	MF.RES IM	75 1/4W	
	C 871	QFLC1HJ-152Z	M CAPACITOR	1500PF 5% 50V			R 878	QRA14CF-7500Y	MF.RES IM	75 1/4W	
	C 873	QFLC1HJ-222Z	M CAPACITOR	2200PF 5% 50V			R 881	QRA14CF-7500Y	MF.RES IM	75 1/4W	
	C 874	QFLC1HJ-222Z	M CAPACITOR	2200PF 5% 50V			R 882	QRA14CF-7500Y	MF.RES IM	75 1/4W	
	C 875	QTE1E28-476Z	E CAPACITOR				R 883	QRE141J-362Y	C RESISTOR	3.6K 5% 1/4W	
	C 876	QTE1E28-476Z	E CAPACITOR				R 884	QRE141J-362Y	C RESISTOR	3.6K 5% 1/4W	
	C 877	QTE1C28-227Z	E CAPACITOR				R 885	QRA14CF-3602Y	MF.RES IM	36 1/4W	
	C 878	QTE1C28-227Z	E CAPACITOR				R 886	QRA14CF-3602Y	MF.RES IM	36 1/4W	
	C 879	QTE1C28-227Z	E CAPACITOR				R 887	QRA14CF-1601Y	MF.RES IM	16 1/4W	
	C 880	QTE1C28-227Z	E CAPACITOR				R 888	QRA14CF-1601Y	MF.RES IM	16 1/4W	
	C 881	QFN31HJ-102Z	M CAPACITOR	1000PF 5% 50V			R 889	QRE141J-272Y	C RESISTOR	2.7K 5% 1/4W	
	C 882	QFN31HJ-102Z	M CAPACITOR	1000PF 5% 50V			R 890	QRE141J-272Y	C RESISTOR	2.7K 5% 1/4W	
	C 883	QFLC1HJ-123Z	M CAPACITOR	.012MF 5% 50V			R 891	QRA14CF-1802Y	M.F.RESISTOR	18 1/4W	
	C 884	QFLC1HJ-123Z	M CAPACITOR	.012MF 5% 50V			R 892	QRA14CF-1802Y	M.F.RESISTOR	18 1/4W	
	C 885	QFN31HJ-472Z	M CAPACITOR	4700PF 5% 50V			R 893	QRA14CF-1802Y	M.F.RESISTOR	18 1/4W	
	C 886	QFN31HJ-472Z	M CAPACITOR	4700PF 5% 50V			R 894	QRA14CF-1802Y	M.F.RESISTOR	18 1/4W	
	C 887	QFLC1HJ-121Z	M CAPACITOR	120PF 5% 50V			R 895	QRE141J-303Y	C RESISTOR	30K 5% 1/4W	
	C 888	QFLC1HJ-121Z	M CAPACITOR	120PF 5% 50V			R 896	QRE141J-303Y	C RESISTOR	30K 5% 1/4W	
	C 889	QFLC1HJ-122Z	M.CAPA. I.M	1200PF 5% 50V			R 897	QRE141J-303Y	C RESISTOR	30K 5% 1/4W	
	C 890	QFLC1HJ-122Z	M.CAPA. I.M	1200PF 5% 50V			R 898	QRE141J-303Y	C RESISTOR	30K 5% 1/4W	
	C 891	QTE0J28-477Z	E CAPACITOR				R 899	QRE141J-100Y	C RESISTOR	10 5% 1/4W	
	C 892	QTE0J28-477Z	E CAPACITOR				R 909	QRE141J-471Y	C RESISTOR	470 5% 1/4W	
	C 893	QCZ0202-155Z	ML C CAPA I/M	1.5MF			R 911	QRE141J-100Y	C RESISTOR	10 5% 1/4W	
	C 894	QCZ0202-155Z	ML C CAPA I/M	1.5MF			R 912	QRE141J-100Y	C RESISTOR	10 5% 1/4W	
	C 895	QCZ0202-155Z	ML C CAPA I/M	1.5MF			R 913	QRE141J-332Y	C RESISTOR	3.3K 5% 1/4W	
	C 897	QTE0J28-477Z	E CAPACITOR				R 914	QRE141J-471Y	C RESISTOR	470 5% 1/4W	
	C 898	QFVJ1HJ-224Z	MF CAPACITOR	.22MF 5% 50V			R 915	QRE141J-100Y	C RESISTOR	10 5% 1/4W	
	C 899	QFN31HJ-103Z	M CAPACITOR	.010MF 5% 50V			R 916	QRE141J-471Y	C RESISTOR	470 5% 1/4W	
	C 900	QCZ0202-155Z	ML C CAPA I/M	1.5MF			R 917	QRE141J-471Y	C RESISTOR	470 5% 1/4W	
	C 902	QFLC1HJ-102Z	M CAPACITOR	1000PF 5% 50V			R 918	QRE141J-471Y	C RESISTOR	470 5% 1/4W	
	C 903	QFLC1HJ-102Z	M CAPACITOR	1000PF 5% 50V			R 919	QRE141J-471Y	C RESISTOR	470 5% 1/4W	
	CN711	QGF1205C1-17	CONNECTOR				R 923	QRE141J-103Y	C RESISTOR	10K 5% 1/4W	
	IC811	NJM4580L	IC				R 924	QRE141J-103Y	C RESISTOR	10K 5% 1/4W	
	IC812	NJM4580L	IC				R 925	QRE141J-101Y	C RESISTOR	100 5% 1/4W	
	IC813	MN35505-X	IC C M				R 926	QRE141J-101Y	C RESISTOR	100 5% 1/4W	
	IC821	NJM4580L	IC				R 927	QRE141J-561Y	C RESISTOR	560 5% 1/4W	

■ Electrical parts list (Audio board)

Block No. 03

△	Item	Parts number	Parts name	Remarks	Area
	R 928	QRE141J-561Y	C RESISTOR	560 5% 1/4W	
	R 929	QRE141J-273Y	C RESISTOR	27K 5% 1/4W	
	R 930	QRE141J-273Y	C RESISTOR	27K 5% 1/4W	
	R 931	QRE141J-183Y	C RESISTOR	18K 5% 1/4W	
	R 932	QRE141J-183Y	C RESISTOR	18K 5% 1/4W	
	R 933	QRE141J-102Y	C RESISTOR	1.0K 5% 1/4W	
	R 934	QRE141J-102Y	C RESISTOR	1.0K 5% 1/4W	
	R 935	QRE141J-221Y	C RESISTOR	220 5% 1/4W	
	R 936	QRE141J-221Y	C RESISTOR	220 5% 1/4W	
	R 937	QRE141J-221Y	C RESISTOR	220 5% 1/4W	
	R 938	QRE141J-221Y	C RESISTOR	220 5% 1/4W	
	R 939	QRA14CF-7500Y	MF.RES IM	75 1/4W	
	R 940	QRA14CF-7500Y	MF.RES IM	75 1/4W	
	R 943	QRA14CF-7500Y	MF.RES IM	75 1/4W	
	R 944	QRA14CF-7500Y	MF.RES IM	75 1/4W	
	R 945	QRE141J-362Y	C RESISTOR	3.6K 5% 1/4W	
	R 946	QRE141J-362Y	C RESISTOR	3.6K 5% 1/4W	
	R 947	QRA14CF-3602Y	MF.RES IM	36 1/4W	
	R 948	QRA14CF-3602Y	MF.RES IM	36 1/4W	
	R 949	QRA14CF-1601Y	MF.RES IM	16 1/4W	
	R 950	QRA14CF-1601Y	MF.RES IM	16 1/4W	
	R 951	QRA14CF-1802Y	M.F.RESISTOR	18 1/4W	
	R 954	QRA14CF-1802Y	M.F.RESISTOR	18 1/4W	
	R 957	QRE141J-303Y	C RESISTOR	30K 5% 1/4W	
	R 958	QRE141J-303Y	C RESISTOR	30K 5% 1/4W	
	R 959	QRE141J-303Y	C RESISTOR	30K 5% 1/4W	
	R 962	QRE141J-100Y	C RESISTOR	10 5% 1/4W	
	R 966	QRE141J-471Y	C RESISTOR	470 5% 1/4W	
	R 967	QRE141J-471Y	C RESISTOR	470 5% 1/4W	
	R 968	QRE141J-471Y	C RESISTOR	470 5% 1/4W	
	R 970	QRE141J-471Y	C RESISTOR	470 5% 1/4W	
	R 971	QRE141J-471Y	C RESISTOR	470 5% 1/4W	
	R 972	QRE141J-100Y	C RESISTOR	10 5% 1/4W	
	R 973	QRE141J-100Y	C RESISTOR	10 5% 1/4W	
	R 974	QRE141J-100Y	C RESISTOR	10 5% 1/4W	
	R 975	QRE141J-100Y	C RESISTOR	10 5% 1/4W	
	R 976	QRE141J-471Y	C RESISTOR	470 5% 1/4W	
	R 977	QRE141J-332Y	C RESISTOR	3.3K 5% 1/4W	
	R 980	QRE141J-100Y	C RESISTOR	10 5% 1/4W	
	R 981	QRE141J-303Y	C RESISTOR	30K 5% 1/4W	
	R 982	QRA14CF-1802Y	M.F.RESISTOR	18 1/4W	
	R 983	QRE141J-272Y	C RESISTOR	2.7K 5% 1/4W	
	R 984	QRE141J-272Y	C RESISTOR	2.7K 5% 1/4W	
	R 985	QRA14CF-1802Y	M.F.RESISTOR	18 1/4W	
	R1825	QRE141J-272Y	C RESISTOR	2.7K 5% 1/4W	
	R1826	QRE141J-272Y	C RESISTOR	2.7K 5% 1/4W	
	R1845	QRE141J-272Y	C RESISTOR	2.7K 5% 1/4W	
	R1846	QRE141J-272Y	C RESISTOR	2.7K 5% 1/4W	
	SP813	VYH7653-001	IC HOLDER		
	SP823	VYH7653-001	IC HOLDER		

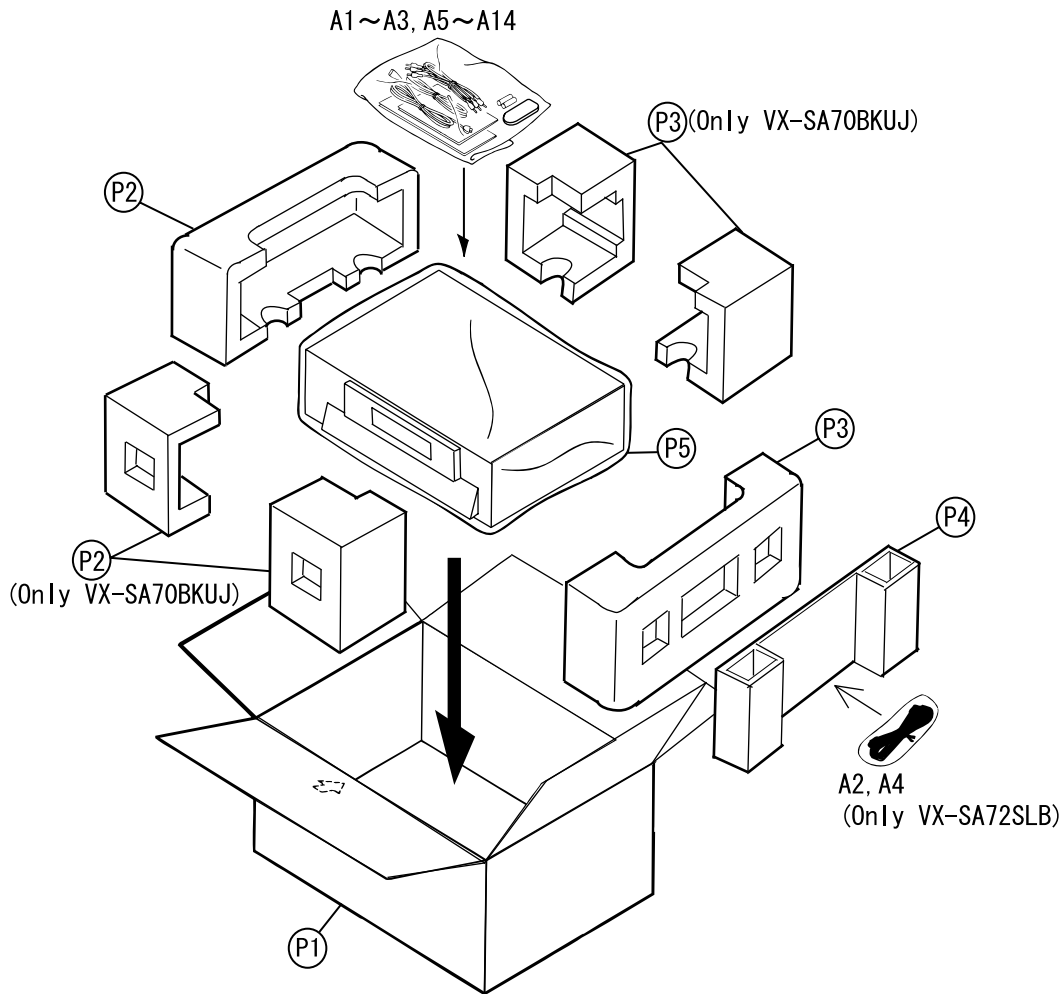
Packing materials and accessories parts list

Block No.

M	4	M	M
---	---	---	---

Block No.

M	5	M	M
---	---	---	---



■ Packing parts list

Block No. M4MM

△	Item	Parts number	Parts name	Q'ty	Description	Area
	P 1	LE30945-052A	PACKING CASE	1		b
		LE30945-047A	PACKING CASE	1		bken
		LE30945-050A	PACKING CASE	1		e,slen
		LE30945-051A	PACKING CASE	1		ee
		LE30945-046A	PACKING CASE	1		uj
		LE30945-053A	PACKING CASE	1		us
		LE30945-055A	PACKING CASE	1		uw
	P 2	LE20609-001A	PACKING PAD(L)	1		b,bken,e,ee,slen,us,uw
		LE20607-001A	PACKING PAD(F)	1		uj
	P 3	LE20610-001A	PACKING PAD(R)	1		b,bken,e,ee,slen,us,uw
		LE20608-001A	PACKING PAD(R)	1		uj
	P 4	LE30920-002A	SHEET ASSY	1		b
	P 5	QPC06005515P	POLY BAG	1		

■ Accessories parts list

Block No. M5MM

△	Item	Parts number	Parts name	Q'ty	Description	Area
	A 1	LET0185-004A	INST BOOK	1		b
		LET0185-006A	INST BOOK	1		bken,e,slen
		LET0185-011A	INST BOOK	1		bken,slen
		LET0185-012A	INST BOOK	1		bken,slen
		LET0185-010A	INST BOOK	1		bken,slen
		LET0185-009A	INST BOOK	1		bken,slen
		LET0185-005A	INST BOOK	1		bken,e,slen
		LET0185-008A	INST BOOK	1		bken,slen
		LET0185-007A	INST BOOK	1		e
		LET0185-013A	INST BOOK	1		ee
		LET0185-001C	INST BOOK	1		uj
		LET0185-017A	INST BOOK	1		us,uw
		LET0185-023A	INST BOOK	1		us
		LET0185-019A	INST BOOK	1		uw
		LET0185-020A	INST BOOK	1		uw
△	A 2	QMPP060-183-JD	POWER CORD	1		b
△		QMPL150-183-JC	POWER CORD	1		bken,e,ee,slen
△		QMP39F0-183E	POWER CORD	1		uj,us,uw
△	A 3	QAM0112-001	AC PLUG ADAPTER	1		uj,us,uw
	A 4	QPC02503510P	POLY BAG	1		b
	A 5	BT-54008-2	WARRANTY CARD	1		b,bken,e,slen
		BT-54012-2	W.CARD	1		ee
	A 6	BT-51028-1	J=REGIST CAR	1		uj
		VNA3000-204	REGIST.CARD	1		b
	A 7	YU20333	SAFETY INST.	1		uj
	A 8	QAM0328-001	AV CORD 3P	1		
	A 9	QAM0327-001	S-VIDEO CORD	1		
	A 10	QAM0326-001	1P PLUG CORD(JE)	1		uj,us,uw
	A 11	EWP302-011W	SIGNAL CORD	2		
	A 12	RM-SXVSA72E	REMOCON UNIT	1		b,e,ee,slen
		RM-SXVSA70E	REMOCON UNIT	1		bken
		RM-SXVSA70J	REMOCON UNIT	1		uj
		RM-SXVSA72U	REMOCON UNIT	1		us,uw
	A 13	-----	BATTERY	2		
	A 14	QPC02504015P	POLY BAG	1		